
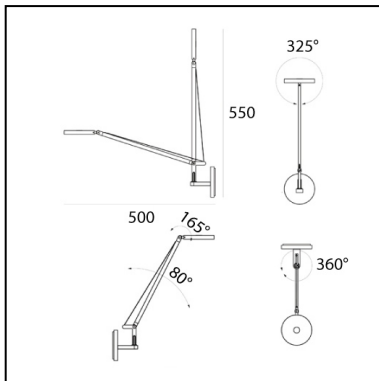


Demetra Micro Wall - 3000K - Anthracite Grey

Naoto Fukasawa



IP20   



LUMINARIA

- Potencia (W): **6W**
- Tensión de alimentación: **100-240V**
- Flujo Luminoso (lm): **257lm**
- CCT: **3000K**
- Efficiency: **49%**
- Efficacy: **42.82lm/W**
- CRI: **90**
- Dimmer Typology: **Microswitch Dimmer**

ESPECIFICACIONES

Demetra micro, in the table and wall version with arm, offers the same freedom of the traditional version, i.e. utmost flexibility in directing light across space. While its power and flow are just slightly reduced compared to the classical version, it has all the same pluses in terms of operation and lighting performance: warm light tone very high CRI 90 light quality maximum performance Dimmable with microswitch located on the appliance's head, it emits warm light with a very high colour yield (CRI 90) Its dimension is therefore minimized to fit into the smallest spaces and to expand the range of potential applications of the entire Demetra family, ideal for work and hospitality locations, as well as for home use.

CÓDIGO PRODUCTO: 1748010A

CARACTERÍSTICAS

- Código del artículo: **1748010A**
- Color: **Gris antracite**
- Instalación: **Pared**
- Material: **Aluminium, technopolymer**
- Serie: **Design Collection**
- Entorno de uso: **Interior**
- Emisión: **Direct and adjustable light**
- diseño: **Naoto Fukasawa**

DIMENSIONES

- Longitud: **cm 8**
- Ancho: **cm 10**
- Altura: **cm 18**
- Diámetro: **cm 11**
- Diámetro base: **cm 11**
- Extensión máxima en altura: **cm 55**
- Extensión máxima a lo ancho: **cm 51**
- Prueba calorífica: **750°**

FUENTES DE LUZ INCLUIDAS

- Categoría: **Led**
- Numero: **1**
- Potencia (W): **6W**
- Flujo Luminoso (lm): **780lm**
- Temperatura de Color (K): **3000K**
- CRI: **90**
- Color Tolerance: **MacAdam 2SDCM**