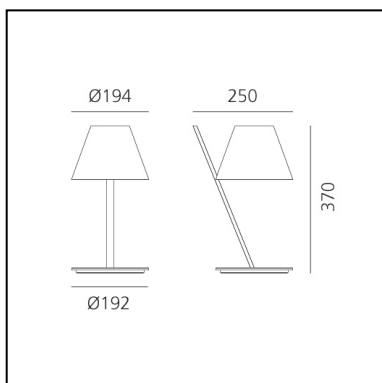


La Petite - Blanco

Quaglio Simonelli



IP20  



LUMINARIA

- Potencia (W): **6W**
- Flujo Luminoso (lm): **326lm**
- CCT: **2700K**
- Efficiency: **65%**
- Efficacy: **54lm/W**
- CRI: **80**

ESPECIFICACIONES

An archetypal lampshade balanced on a tilted stem. Simple elements, exquisitely combined into an amazing geometric composition, recall basic forms matched with different materials for technological reasons. Despite its plain and simple look, this lamp clearly conveys the skills of Artemide. The lampshade is a lightweight plastic volume closed by two diffusers that produce a pleasant soft direct and indirect light. The joint connects the lampshade with the aluminium stem on a minimal support. These simple elements are combined into a plain and elegant object, where the tilted stem is counterbalanced by the lampshade's volume.

CÓDIGO PRODUCTO: 1751020A

CARACTERÍSTICAS

- Código del artículo: **1751020A**
- Color: **Blanco**
- Instalación: **Sobremesa**
- Serie: **Design Collection**
- Entorno de uso: **Interior**
- diseño: **Quaglio Simonelli**

DIMENSIONES

- Longitud: **cm 25**
- Ancho: **cm 19.4**
- Altura: **cm 37**
- Diámetro base: **cm 19.2**
- Resistencia al impacto: **650**

FUENTES DE LUZ NON INCLUIDAS local.page.schedaprodotto.tecnica.label.ledsesclusialt= FUENTES DE LUZ ALTERNATIVAS

- Categoría: **LED RETROFIT**
- Numero: **1**
- Potencia (W): **6W**
- Soporte: **E14**
- Temperatura de Color (K): **2700K**
- CRI: **80**
- Service Life: **L70(6K) > 25000h**