

# FLOS

F3440030 Black/Fumée

## Goldman

Designed by Ron Gilad, 2013

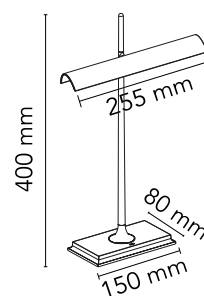
8W - 248lm - 2700K



Table lamp providing direct light. Aluminium structure with external transparent methacrylate diffuser and opal PC led diffuser. Optical switch sensor on the base that provide 3-step dimming function. A USB socket on the back of the base enables you to recharge the most common smartphones and tablets (max 1.5A). Adaptor on plug connector with interchangeable plugs. The power chord is 2.5 metres long

Are you a professional and your project needs consulting and support?

[BOOK AN APPOINTMENT](#)



### Main specifications

EAN	8059607019504
Mounting	Table
Environments	Indoor dry location
Light Source Type	LED
LED type	LED Module
Power (W)	8
System flux (lm)	248

### Physical

Colour	Black/Fumée
Length (mm)	255
Cord length (mm)	2500
Net weight (kg)	0.8
Package height (mm)	130
Package width (mm)	300
Package length (mm)	500
Package volume (m3)	0.02
IP internal	20

### Download

<a href="#">Mounting instructions</a>	↓ PDF
<a href="#">Mounting instructions</a>	↓ PDF
<a href="#">Spare Parts</a>	↓ PDF

### Photometric Files

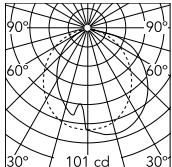
<a href="#">LDT / IES</a>	↓ LDT
---------------------------	-------

### Technical Drawings

<a href="#">2D</a>	↓ ZIP
<a href="#">3D</a>	↓ ZIP



## Schematic light drawing



Luminous flux Luminaire  
248 lm

## Photometric

Lighting type	Direct
Light distribution	Asymmetric
CCT (K)	2700

## Electrical

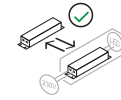
Insulation class	III
Frequency (Hz)	50/60
Main voltage (Vac)	100-240/24
LED voltage Vf (Vdc)	null
Driver	Remote included
Dimmable	Yes
Dimming type	Electronic 24V
Dimming interface	Dimmer Integrated
Plug type	Type G, Type A, Type C
Batteries inside	No

## Ecodesign and Energy Labelling

This product contains a light source of energy efficiency class F

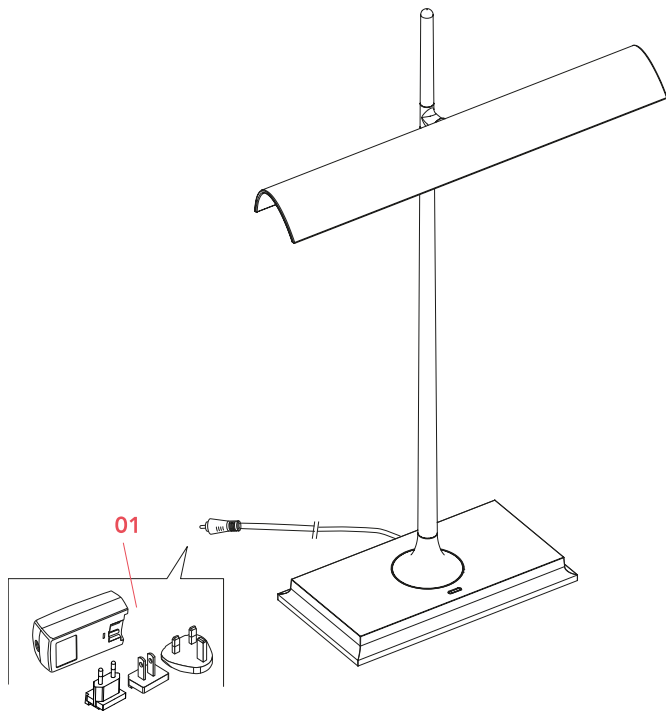


Replaceable (LED only) light source by a professional



Replaceable control gear by an end-user

## Spare Parts



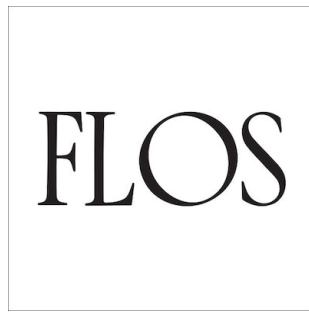
- |     |                                      |           |
|-----|--------------------------------------|-----------|
| 01. | Black plug assembly kit & 24V driver | RF3320100 |
| 10. | Assembly Coaxial Connector           | RF3390130 |

**DOWNLOAD**



RF3320100

Black plug assembly kit & 24V driver



RF3390130

Assembly Coaxial Connector