

FLOS

F6612009 Glossy White

Spun Light Floor

Designed by Sebastian Wrong, 2003

Halogen - 250W



Floor fixture providing diffused lighting. Spun metal frame and diffuser, die-cast aluminum diffuser support arms and lamp-holder support, painted in the colors indicated below. White, injection-molded polycarbonate diffuser supports. On the cable there is the electronic dimmer which allows the regulation of light brightness.

Are you a professional and your project needs consulting and support?

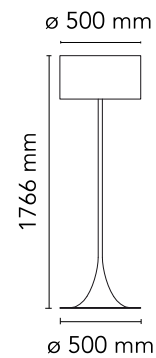
[BOOK AN APPOINTMENT](#)

Main specifications

EAN	8059607023174
Mounting	Floor
Environments	Indoor dry location
Light Source Type	Bulb
Lamp category	Halogen
Lamp holders	E27
Iicos	HSGS
Number of heads	1
Power (W)	250

Physical

Colour	Glossy White
Length (mm)	500
Net weight (kg)	9.3
Package height (mm)	1880
Package width (mm)	580
Package length (mm)	580
Package volume (m3)	0.63
IP internal	20



Download

[Mounting instructions](#) PDF

[Spare Parts](#) PDF

Photometric Files

[LDT / IES](#) LDT

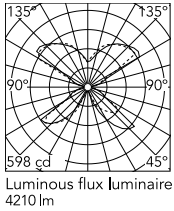
Technical Drawings

[2D](#) ZIP

[3D](#) ZIP



Schematic light drawing



Photometric

Lighting type	Indirect, Direct
Light distribution	Symmetric

Electrical

Insulation class	II
Frequency (Hz)	50/60
Main voltage (Vac)	220-240
LED voltage Vf (Vdc)	null
Dimmable	Yes
Dimming interface	Dimmer Integrated
Plug type	Type C
Batteries inside	No

Bulbs



NOT INCLUDED

RF26998

LED 21W E27 2450lm 3000K
DIMMER

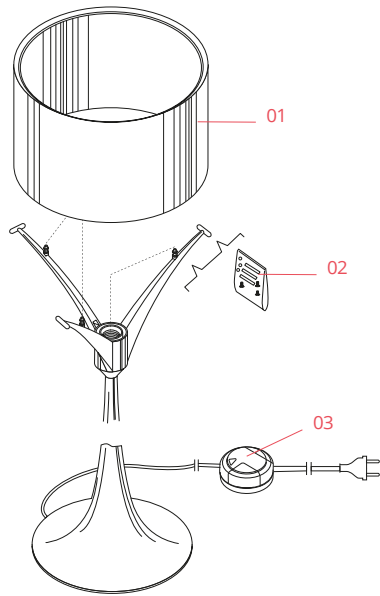


NOT INCLUDED

RF30429

LED Opal Lamp E27 21W 2700K
A65 Dimmable

Spare Parts



- | | | |
|-----|---|-----------|
| 01. | White diffuser F | RF12144 |
| 02. | Bag with diffuser supports and o-ring | RF6610100 |
| 03. | Led rondo' dimmer 220/240v 40-250w 4-100w | RF28200 |

DOWNLOAD



RF12144

White diffuser F



RF6610100

Bag with diffuser supports and o-ring



RF28200

Led rondo' dimmer 220/240v 40-250w 4-100w