

# FLOS

F3693056 Polished Inox

## Last Order Clear

Designed by Michael Anastassiades, 2020

2.5W - 90lm - 2700K - CRI> 90



Flos Last Order table lamp was designed by M. Anastassiades. It is a rechargeable table lamp that diffuses light through a transparent solid crystal base whose shape makes reference to architectural typology of the ancient column. The top cover comes in a combination of different metal and colour finishes: stainless steel, brass, satin copper or green opal coating .

Are you a professional and your project needs consulting and support?

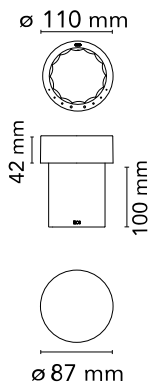
[BOOK AN APPOINTMENT](#)

### Main specifications

Mounting	Table
Environments	Indoor Outdoor wet location
Light Source Type	LED
LED type	LED Module
Power (W)	2.5
System flux (lm)	90

### Physical

Colour	Polished Inox
Net weight (kg)	2.13
Package height (mm)	0
Package width (mm)	0
Package length (mm)	0
Package volume (m3)	0.01
IP internal	55



### Download

[Mounting instructions](#) PDF

[Spare Parts](#) PDF

### Photometric Files

[LDT / IES](#) LDT

### Technical Drawings

[3D](#) ZIP



### Schematic light drawing



## Photometric

Lighting type	Direct
Light distribution	Roto symmetric
CCT (K)	2700
CRI>	90

## Electrical

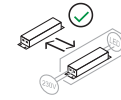
Insulation class	III
Frequency (Hz)	50/60
Main voltage (Vac)	100-240/5
Driver	Remote included
Dimmable	Yes
Dimming type	Electronic 5V
Dimming interface	Dimmer Integrated
Plug type	Type G, Type A, Type C
Batteries inside	Yes
Battery type	LI-PO
Charging socket/connector	USB-C

## Ecodesign and Energy Labelling

This product contains a light source of energy efficiency class F

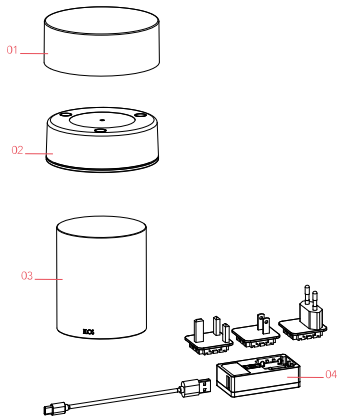


Replaceable (LED only) light source by a professional



Replaceable control gear by an end-user

## Spare Parts



- |     |   |           |
|-----|---|-----------|
| 03. | Crystal clear base                          | RF29124   |
| 04. | Power charger with electrical cable & plugs | RF1035109 |

**DOWNLOAD**



RF29124

Crystal clear base



RF1035109

Power charger with electrical  
cable & plugs