



Mini Glo-Ball Suspension

■ F4195009 - White

Designed by Jasper Morrison

Suspension lamp providing diffused light. Diffuser consisting of an externally acid etched, hand blown, flashed opaline glass. White painted, injection-molded PPS lamp-holder support.

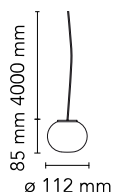
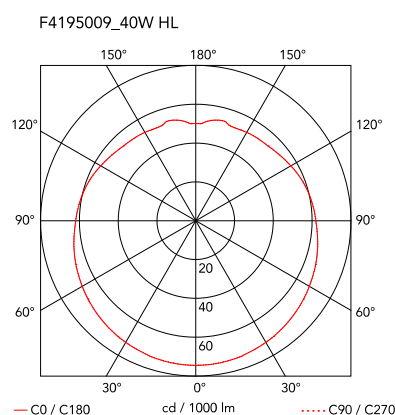
Main specifications

Mounting	Suspension	Ilcos	HSGS
Environment	Indoor dry location	Autoprotected Lamp	Yes
Light source type	Bulb	Number of heads	1
Lamp category	Halogen	Source Power (W)	25
Lamp holder	G9		



Optical

Lighting Type	Total
Lighting distribution	Roto symmetric
Cold Beam Lighting	No
Extreme Cut off	No



Electrical

Insulation class	II	Charging Min Time	No
Frequency (Hz)	50/60		
Main Voltage (Vac)	220-250		
Batteries Inside	No		
Cord length (mm)	2700		

Physical

Colour	White
Net weight (kg)	0.67
Gross weight (kg)	1.48
IP	20
IP external	20

