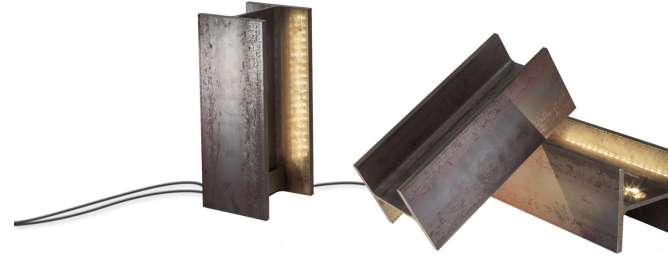


# MAIS PLUS QUE CELA JE NE PEUX PAS

*Rudy Ricciotti*

An object, a lamp, a symbol for what has become a Manifesto of Rudy Ricciotti work and philosophy: the light of Mais Plus Que Cela Je Ne Peux Pas is inspired by the footbridge of the Museum of European and Mediterranean Civilizations in Marseille, also conceived by Rudy Ricciotti and which has become one of the visual identifications of the French city.



# FLOOR

## LAMPING

Source	linear LED
Total power	10W
Emission	direct/indirect
Switching	dimmable on cable
Tension	230V
Color temperature	2700K
Luminous flux	550lm
Typ CRI	85
IP class	20
Materials	steel
Notes	cable length 2,7m, also available in 120V
Net lamp weight	12 kg

## Codes

RIC LMM 21

## Structure

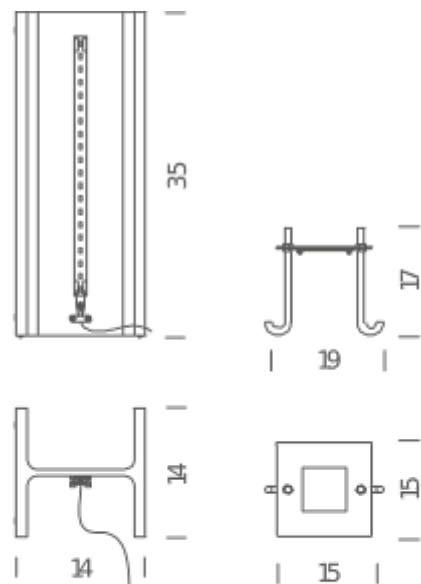
raw metal

## PACKAGE

Package 01

Dimension: 20x20x41 cm / Gross weight: 13,5 kg

## Certificazioni



## FLOOR OUTDOOR

### LAMPING

Source	linear LED
Total power	10W
Emission	direct/indirect
Switching	dimnable TRIAC
Tension	230V
Color temperature	2700K
Luminous flux	550lm
Typ CRI	85
IP class	44
Materials	steel
Notes	Cable length 3m, body and cable IP65 rated also, available in 120V, marine version available on request
Accessories	Fixing plate,
Net lamp weight	12 kg

### Codes

RIC LME 21

### Structure

raw metal

### PACKAGE

Package 01

Dimension: 20x20x41 cm / Gross weight: 13,5 kg

### Certificazioni

