

Coordinates Wall 1

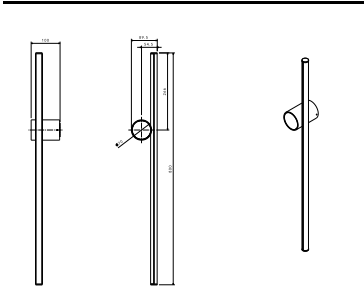
■ F1810033 - Argent

Designed by Michael Anastassiades

Wall-mounted diffuse lighting device composed of a horizontal bar (model Wall 1) or vertical and horizontal bar (model W2). Each bar is composed of: extruded and processed aluminium body anodized in a champagne or argent colour; diffuser in platinum optical silicone; integrated LED strip (CRI 90). Each model comes with its own rose, whose integrated electronics use only the TRIAC dimmer system.



Abient Thumbnail



Main specifications

Mounting	Wall	Lamp holder	LED Module
Environment	Indoor dry location	Autoprotected Lamp	No
Light source type	LED	Number of heads	1
Light source replaceable	Replaceable (LED only) light source by a professional	Source Power (W)	15
		System Power (W)	15
LED type	LED Module		
System Flux (lm)	961		

Optical

Lighting Type	Total
Lighting distribution	Asymmetric
CCT (K)	2700K
CRI>	90
Cold Beam Lighting	No
Extreme Cut off	No

Electrical

Insulation class	I	Batteries Inside	No
Frequency (Hz)	50/60	Power supply replaceable	Replaceable control gear by a professional
Main Voltage (Vac)	230		
Driver	Integrated		
Dimmable type	Mains Cut Dimming		

Physical

Colour	Argent	IP external	20
Length (mm)	800		
Net weight (kg)	0.8		
Gross weight (kg)	1.76		
IP	20		